



INSTRUCTIONS FOR USE

INSTRUCCIONES DE USO

Automatic **DRAIN AWAY** Downspout Extender

Installation:

The surface where you attach the product should be clean, dry and grease-free.

1. Wrap the self-stick sponge rubber tape around the end of the downspout approximately 1.5 inches from the bottom.
2. Place the **DRAIN AWAY** on the downspout with the coil facing away from the house.
3. Secure it with the self-locking tie (included) making sure it sits over the product and the foam tape.

NOTE: If you live in an area that experiences freezing temperatures, we recommend removing the DRAIN AWAY during the winter.

If the end of the product becomes clogged slide off end clamp to clear.



DRAIN AWAY Extensión de bajante

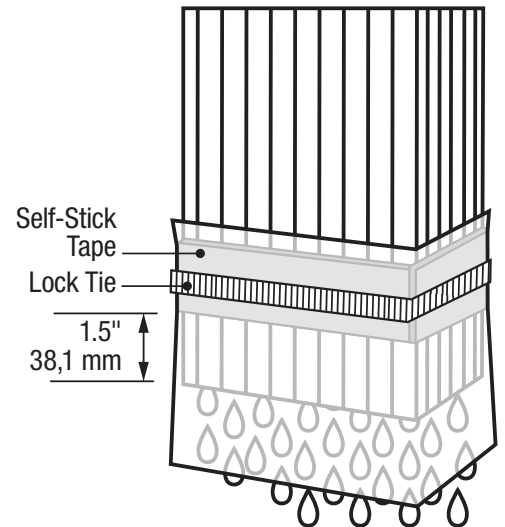
Instalación:

La superficie donde va a instalar el escurridor debe estar limpia, seca y libre de grasa.

1. Envuelva la cinta autoadhesiva de espuma de goma alrededor de la punta del bajante aproximadamente 38,1 mm del borde inferior.
2. Coloque el **DRAIN AWAY** en el bajante con el rollo hacia afuera de la casa.
3. Sujételo usando la amarra plástica (incluida), asegurándose que esté asentada sobre el producto y la cinta de espuma.

NOTA: Si vive en una zona que sufre de temperaturas bajo cero, recomendamos remover el DRAIN AWAY durante el invierno.

Si la punta del producto se obstruye, quite la abrazadera para limpiarla.



Follow Us @FrostKing
or www.frostking.com



Thermwell Products Co., Inc.
Mahwah NJ 07430 | Sparks NV 89431

Need help or information
about any Frost King product?
Call **1-877-FROST 20**
3 7 6 7 8

For videos, instructions, hints and tips
visit www.frostking.com/instructions